

DOMO SERIES

SUBMERSIBLE PUMPS WITH ENTRAINED SOLIDS

DOMO series electric pumps are available with twin-channel or vortex impeller (DOMO VX). Designed to handle suspended solids up to 50mm in diameter (35 mm for DOMO 7 and DOMO 7VX). Four basic models with 0.55 (0.75 HP) to 1.5 kW (2HP) rated power.

DRIVELUB SEAL SYSTEM.

APPLICATIONS

- Pumping of effluent (VX model handles also suspended filaments).
- Emptying of septic tanks and residential sumps.
- Draining of flooded basements and garages.
- Water display, fountains.

SPECIFICATIONS

- Capacity up to 40 m³/h.
- Head up to 14,8 m.
- Continuous duty with 35°C liquids and fully submerged pump.
- Dry motor (class F insulation).
- IP 68 protection.
- HO7RN-F type neoprene power cord
- Maximum immersion depth: 5 m.
- Versions:
Single-phase 220-240 V, 50 Hz, 2 poles.
Three-phase 380-415 V, 50 Hz, 2 poles.
- Motor power:
0.55 to 1.1 kW for single-phase versions.
0.55 to 1.5 kW for three-phase versions.
- The single-phase version features:
Pre-assembled float (version without float available on request).
Built-in capacitor (except for DOMO 15 and DOMO 15 VX models with control box on cable).
Thermal overload protection.
- The DOMO 7 and DOMO 7VX versions feature:
 - Rp 1 1/2" delivery port (female gas).
 - Handling of suspended solids up to 35 mm in diameter.
 - Fiberglass-reinforced nylon impeller (stainless steel impeller also available).



- The DOMO 10-15-20 and DOMO 10-15-20VX versions feature:
 - 2" delivery port, female ASP (can be turned into a flanged version if an optional accessory is installed).
 - Handling of suspended solids up to 50 mm in diameter.
 - Stainless steel twin-channel or vortex impeller.
 - Tube float switch.

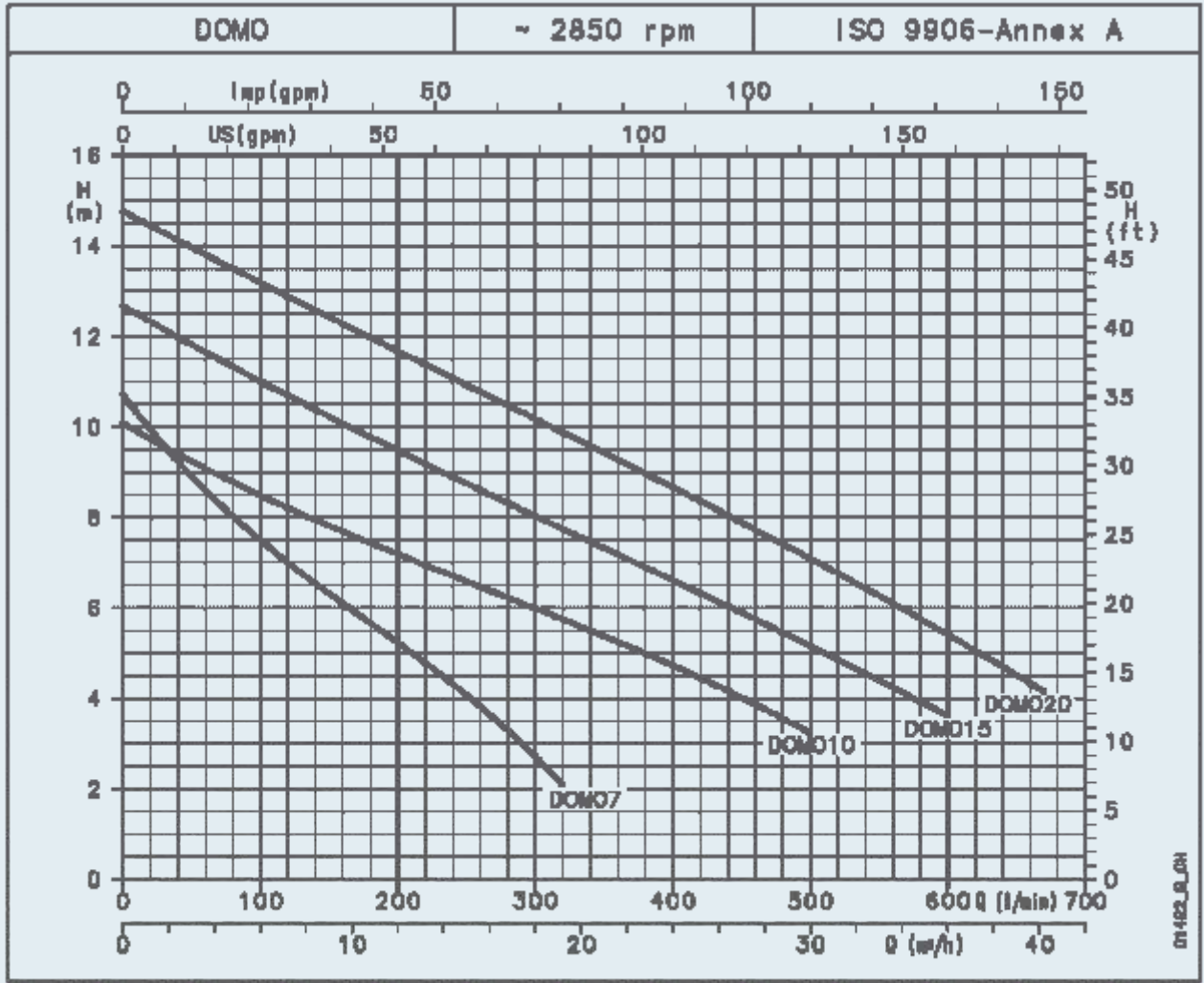
DRIVELUB SEAL SYSTEM

- Watertight electric motor protected by multiple seal system with oil chamber.
A V-ring and silicon carbide mechanical seal (extremely resistant to wear and abrasion), as well as a lip seal which is continuously lubricated by the DRIVELUB system, provide an extremely efficient barrier against infiltration.

TABLE OF MATERIALS

PART	MATERIAL
Pump body, Motor casing	STAINLESS STEEL (AISI 304 - DIN 1.4301)
DOMO 7 (VX) impeller	FIBREGLASS-REINFORCED NYLON
DOMO 10-15-20 (VX) impeller	STAINLESS STEEL (AISI 304 - DIN 1.4301)
Inner mechanical seal	SILICON CARBIDE/ SILICON CARBIDE
Upper lip seal	NITRILE RUBBER
Shaft extension	STAINLESS STEEL (AISI 304 - DIN 1.4301)
Handle	NYLON

**DOMO SERIES (TWIN CHANNEL IMPELLER)
OPERATING CHARACTERISTICS AT 2850 rpm 50 Hz**



DOMO

PUMP TYPE	RATED POWER		Q = DELIVERY												
			l/min	0	50	100	150	200	250	300	320	400	500	600	670
			m³/h	0	3	6	9	12	15	18	19.2	24	30	36	40.2
	kW	HP	H = TOTAL HEAD METERS COLUMN OF WATER												
DOMO 7(T)	0.55	0.75	10.7	8.9	7.5	6.3	5.2	4.1	2.7	2.1					
DOMO 10(T)	0.75	1	10.1	9.2	8.5	7.8	7.2	6.6	6.0	5.8	4.7	3.2			
DOMO 15(T)	1.1	1.5	12.7	11.8	11.0	10.2	9.5	8.8	8.0	7.8	6.6	5.2	3.6		
DOMO 20T	1.5	2	14.8	14.0	13.2	12.4	11.7	10.9	10.2	9.9	8.7	7.1	5.4	4.2	

These performances are valid for liquids with density = 1.0 kg/dm³ and kinematic viscosity = 1 mm²/sec.

domo-2p50_a_th

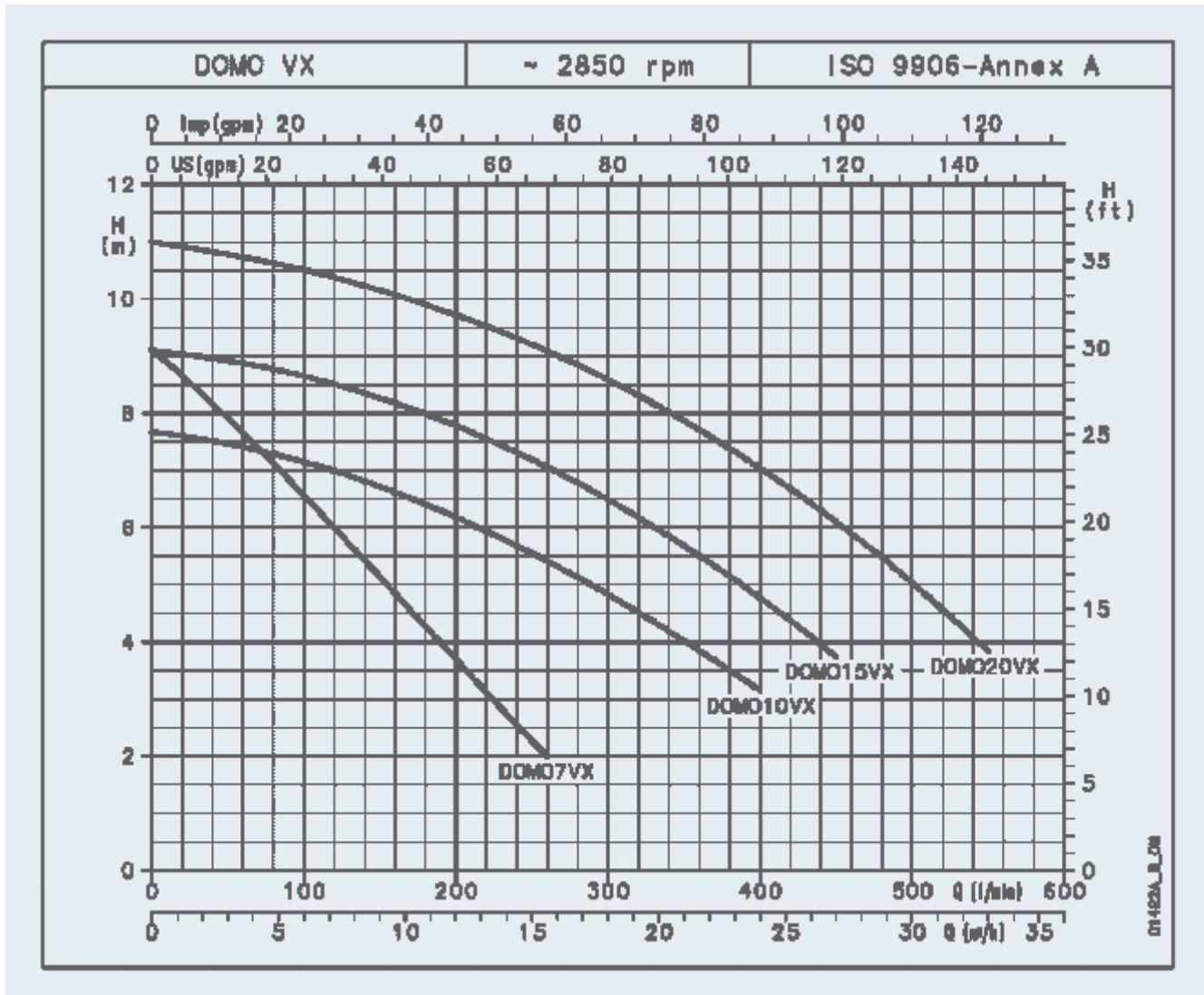
PUMP TYPE	INPUT POWER*	INPUT CURRENT*	CAPACITOR
SINGLE-PHASE		220-240 V	
	kW	A	µF / 450 V
DOMO 7	0.80	3.94	16
DOMO 10	1.14	5.84	22
DOMO 15	1.58	7.02	30
-	-	-	-

PUMP TYPE	INPUT POWER*	INPUT POWER*	INPUT POWER*
THREE-PHASE		220-240 V	380-415 V
	kW	A	A
DOMO 7T	0.73	2.58	1.49
DOMO 10T	1.09	4.09	2.36
DOMO 15T	1.49	4.73	2.73
DOMO 20T	1.96	6.6	3.81

*Maximum value in specified range

domo-2p50_a_te

DOMO VX SERIES (VORTEX IMPELLER)
OPERATING CHARACTERISTICS AT 2850 rpm 50 Hz



PUMP TYPE	RATED POWER		Q = DELIVERY												
			l/min	0	80	100	150	175	200	225	260	300	400	450	550
			m³/h	0	4.8	6	9	10.5	12	13.5	15.6	18	24	27	33
	kW	HP	H = TOTAL HEAD METERS COLUMN OF WATER												
DOMO 7VX(T)	0.55	0.75	9.1	7.1	6.6	5.1	4.4	3.7	3.0	2.0					
DOMO 10VX(T)	0.75	1	7.7	7.3	7.1	6.7	6.5	6.2	5.9	5.4	4.8	3.1			
DOMO 15VX(T)	1.1	1.5	9.1	8.8	8.6	8.3	8.0	7.8	7.5	7.1	6.5	4.8	3.7		
DOMO 20VXT	1.5	2	11.0	10.6	10.5	10.2	9.9	9.7	9.5	9.1	8.6	7.0	6.1	3.8	

These performances are valid for liquids with density $\rho = 1.0 \text{ kg/dm}^3$ and kinematic viscosity $\nu = 1 \text{ mm}^2/\text{sec}$.

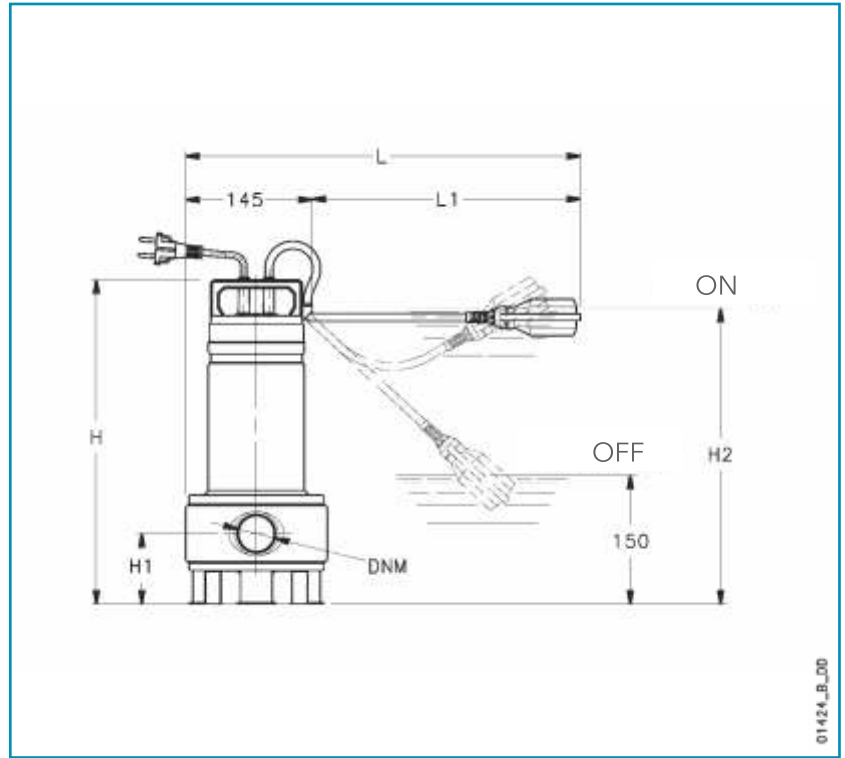
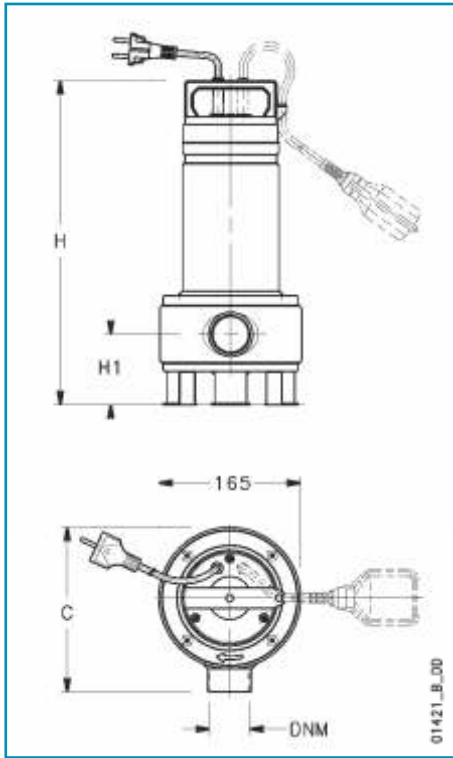
PUMP TYPE	INPUT POWER*	INPUT CURRENT*	CAPACITOR
SINGLE-PHASE	kW	220-240 V A	$\mu\text{F} / 450 \text{ V}$
DOMO 7VX	0.79	3.91	16
DOMO 10VX	1.15	5.88	22
DOMO 15VX	1.36	6.11	30
-	-	-	-

PUMP TYPE	INPUT POWER*	INPUT POWER*	INPUT POWER*
THREE-PHASE	kW	220-240 V A	380-415 V A
DOMO 7VXT	0.71	2.56	1.48
DOMO 10VXT	1.10	4.09	2.36
DOMO 15VXT	1.26	4.31	2.49
DOMO 20VXT	1.74	6.22	3.59

*Maximum value in specified range



DOMO SERIES DIMENSIONS AND WEIGHTS



PUMP TYPE	DIMENSIONS (mm)						DNM	WEIGHT kg
	H	H1	H2	L	L1	C		
DOMO7-DOMO7VX	386	88	370	420	275	193	Rp 1½	10
DOMO10-DOMO10VX	463	111.5	415	495	350	198	Rp 2	13.4
DOMO15-DOMO15VX	463	111.5	415	495	350	198	Rp 2	15.1
DOMO7T-DOMO7VXT	386	88	-	-	-	193	Rp 1½	8.7
DOMO10T-DOMO10VXT	433	111.5	-	-	-	198	Rp 2	11.4
DOMO15T-DOMO15VXT	463	111.5	-	-	-	198	Rp 2	13.4
DOMO20T-DOMO20VXT	463	111.5	-	-	-	198	Rp 2	14.4

domo-2p50_a_td

DOMO



This float switch allows the pump to be used where standard float design cannot work due to insufficient space. The pump with this system can only be installed vertically and can only be used with clean water.

For pump installations that use the tube float switch, the level of start and stop are fixed, therefore they cannot be modified.

Xylem Water Solutions India Pvt. Ltd. www.xyleminc.com / www.xylemindia.in

India Head Office
Ground & First floor
Vishnu Shivam Mall
Thakur Village, Kandivali [East]
Mumbai - 400 101
Tel: +91 22 4037 0370
Fax: +91 4037 0371

Registered Office, Factory and RD&E
Plot No. 731, GIDC Savli
Manjusar, Savli Road
Vadodara - 391770
Tel: +91 2667 265800
Fax: +91 2667 265802

Chennai Office
Ghatala Towers, 1st floor
19, Avenue Road
Nungambakkam
Chennai - 600034
Tel: +91 44 4043 5555
Fax: +91 44 4043 5550

Delhi Office
H-20, Bali Nagar
New Delhi - 110015
Tel: +91 11 4555 2806
Fax: +91 11 2519 5007

Bengaluru Office
No. 7, Kumara Park East
Kumara Park East Extension
Bengaluru - 560001
Tel: +91 80 4281 6800
Fax: +91 80 4281 6801

Pune Office
Xylem Water Solutions
India Pvt. Ltd.
2nd Floor, Anmol Pride Unit 3
Baner Road, Pune - 411045
Tel: +91 20 4660 8200

Email: indiasales@xyleminc.com, customerservicesindia@xyleminc.com

The specifications and features may change before prior notice.



Lowara reserves the right to make modifications without prior notice. cod. 191003831

