



ITT

Technical Specification

Submersible Pump Steady Flygt K 1325, 50 Hz



Steady
FLYGT

Engineered for life



K 1325

Product

Submersible pump for pumping waste water, sewage, surface water and clean water.

Denomination

Product code	1325.180
Installation	P
Impeller characteristics	MT, HT

Process data

Liquid temperature	max +40 °C
Depth of immersion	max 20 m
The pH of the pumped liquid	pH 5,5-14
Liquid density	max. 1100 kg/m ³

Motor data

Frequency	50 Hz
Insulation class	F (+155 °C)
Voltage variation	
- continuously running	max ± 5%
- intermittent running	max ± 10%
Voltage imbalance between phases	max 2%
No. of starts/hour	max 15

Cable

Direct-on-line start SUBCAB®	4G2,5+2x1,5 mm ²
--	-----------------------------

Monitoring equipment

Thermal contacts opening temp. 140 °C

Material

Impeller	Cast iron
Pump housing	Cast iron
Stator housing	Cast iron
Shaft	Stainless steel
O-rings	Nitrile rubber

Mechanical face seals

Alternative	Inner seal	Outer seal
1	Aluminium oxide/ carbon	Aluminium oxide/ Corrosion resistant cemented carbide

Surface Treatment

All cast parts are primed with a water-borne primer. The finishing coat is a high-solid two pack paint.

Weight

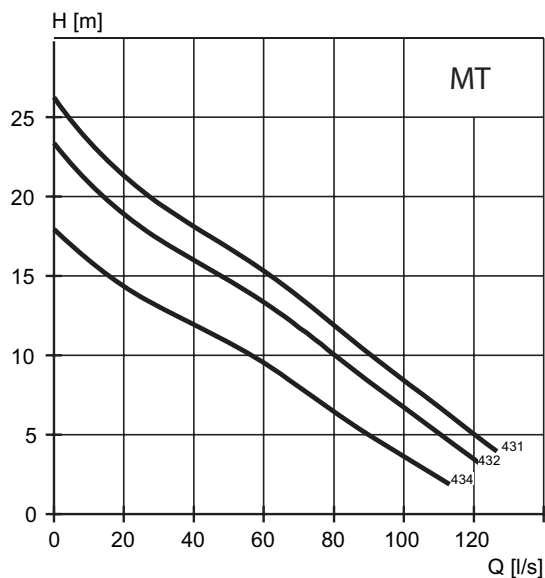
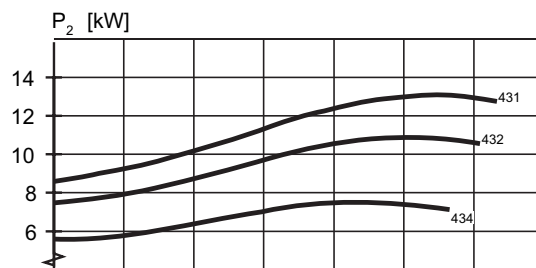
See dimensional drawing.

Accessories

For accessories see www.itt.com for further information.

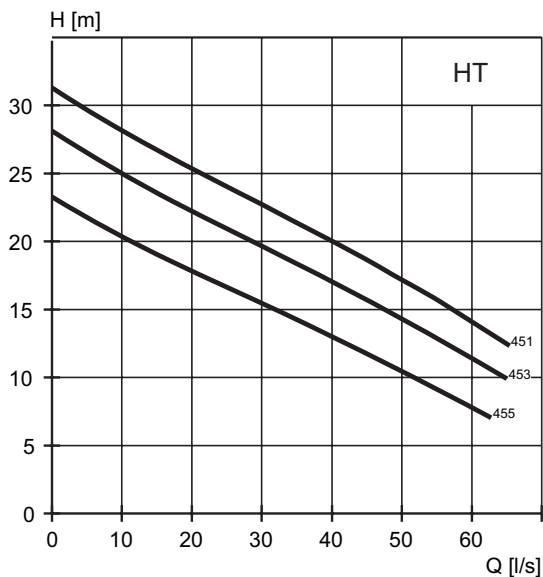
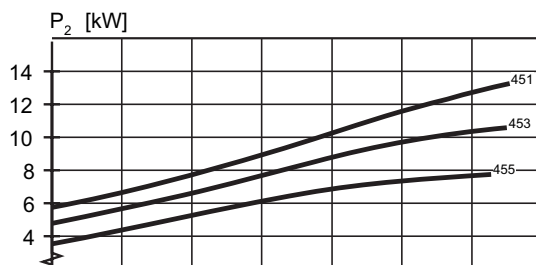
MT-Motor rating and performance curve

Curve/Impeller No	Rated power, kW	Rated current, A	Starting current, A	Power factor $\cos \varphi$	Installation					
					P					
380 V, 50 Hz, 3 ~, 1455 r/min										
431	13,5	28	150	0,82	•					
432	13,5	28	150	0,82	•					
434	13,5	28	150	0,82	•					



HT-Motor rating and performance curve

Curve/Impeller No	Rated power, kW	Rated current, A	Starting current, A	Power factor $\cos \varphi$	Installation					
					P					
380 V, 50 Hz, 3 ~, 1455 r/min										
451	13,5	28	150	0,82	•					
453	13,5	28	150	0,82	•					
455	13,5	28	150	0,82	•					

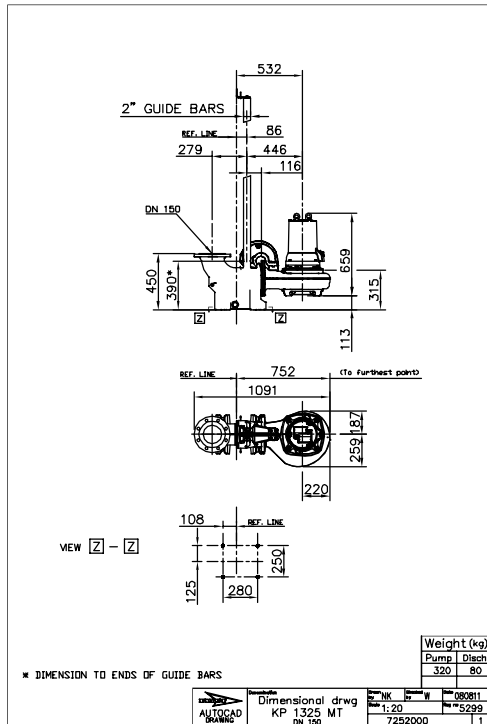


Dimensional drawing

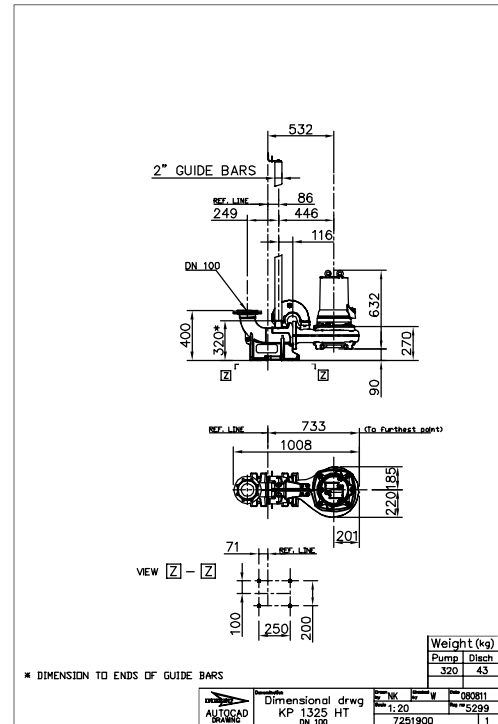
All drawings are available as Acrobat documents (.pdf) and AutoCad drawings (.dwg). Download the drawings from www.itt.com or contact your ITT representative for more information.

All dimensions are in mm.

MT, P-installation



HT, P-installation



Contact addresses

30/F Tower A, Hongqiao City Center of Shanghai, 100 Zunyi Road, Shanghai 20051, China

Tel: 86 21 22082888 Fax: 86 21 22082999

Room 906, Jianda Mansion, 223# Zhongshan North Road, Nanjing, 210009 China

Tel: 86 25 83346987 Fax: 86 25 8334 6953

Room 1518, Minhang Building Of Zhejiang, No.290 Zhongshan Northern Road, Hangzhou 310003, China

Tel: 86 571 85781571 Fax: 86 571 85781573

Unit 902, E3, Oriental Plaza, 1 East Chang'an Ave. Beijing 100738, China

Tel: 86 10 85184188 Fax: 86 10 85188438

160D&Room A-160D National Port East 3 Huan North Road, Chaoyang Region, Beijing, 100027 China

Tel: 86 10 84470740 Fax: 86 10 84471972

Room 1508, Evening News Building, Nanjing Road, Nankai Region, Tianjin, 300100 China

Tel: 86 22 27501520 Fax: 86 22 27501521

No. 4, 11 Jia, Kaifa Road, Shenyang Economic & Technical Development Zone, Shenyang 110141, China

Tel: 86 24 25263213 Fax: 86 24 25832022

Room C-506, President Building, Hepingbei street, Heping Region, Shenyang, 110003, China

Tel: 86 24 22814008 Fax: 86 24 22767079

Room 1508, Pearl River International Building, No. 99, Xin Kai Road, Xi Gang District, Dalian, 116011, China

Tel: 86 411 39615757 Fax: 86 411 39615757

Room 3411, New World International Trade Center, Tower 1, No. 568, Jianshe Avenue Wuhan 430022, China

Tel: 86 27 82667686 Fax: 86 27 85267546

Room 1905, Green Land Hotel, 91 Zhonglieci Xi Street, Chengdu, 610016, China

Tel: 86 28 86751678 Fax: 86 28 86752626

Room 1504, east Tower Hua Pu Plaza, No. 13 HuaMing Road, Tian He District, Guangzhou 510623, China

Tel: 86 20 28865015 Fax: 86 20 28865017

Room 2601, West Tower Huapu Plaza, No. 9 Huaming Road, Tianhe District, Guangzhou 510623, China

Tel: 86 20 22382685 Fax: 86 20 22382685

Room 606 Xi'an High-Tech International Business Center, No. 33 Ke ji Road, High-Tech Zone, Xi'an, 710075, China

Tel: 86 29 88337330 Fax: 86 29 88337322

17-l#, Main of Jinlong Building, 229#, Luo Yuan Road, Jinan, 250001 China

Tel: 86 531 86121177 Fax: 86 531 86121177

Room 408 Tower B Chuangyi English International Building, Jiaoling Road, Kunming 650031 China

Tel: 86 871 5426438 Fax: 86 871 5426438

H/I 22F Hongyun Building No. 41-1 North Youhao Road Urumchi 830000 China

Tel: 86 991 4814823 Fax: 86 991 4814620

Unit E, 12/F, CDW Building, 388 Castle Peak Road, Tsuen Wan N.T., Hongkong China

Tel: 852 29450100 Fax: 852 27416605



ITT Corporation (www.itt.com) is a diversified high-technology engineering and manufacturing company dedicated to creating more livable environments, enabling communications and providing protection and safety. The company plays an important role in vital markets including water and fluids management, global defense and security, and motion and flow control. Headquartered in White Plains, N.Y., the company ITT employs approximately 40,000 people and generated \$9 billion in 2007 sales.

Steady
FLYGT

Visit our Web site for the latest version of this document and more information
www.itt.com

ITT Corporation
30/F Tower A, Hongqiao City Center of Shanghai, 100 Zunyi Road, Shanghai 20051, China
Tel: 86 21 22082888
Fax: 86 21 22082999