



ITT

Technical specification

Submersible pump Steady Flygt K 1330, 50 Hz



Steady
FLYGT

Engineered for life



K 1330

Product

Submersible pump for pumping waste water, sewage, surface water and clean water.

Denomination

Product code	1330.180
Installation	P
Impeller characteristics	LT, MT, HT

Process data

Liquid temperature-standard	max +40 °C
Depth of immersion	max 20 m
The pH of the pumped liquid	5,5-14
Liquid density	max. 1100 kg/m ³

Motor data

Frequency	50 Hz
Insulation class	F (+155 °C)
Voltage variation	
- continuously running	max ± 5%
- intermittent running	max ± 10%
Voltage imbalance between phases	max 2%
No. of starts/hour	max 15

Cable

Direct-on-line start

SUBCAB®	4G2,5+2x1,5 mm ²
	4G6+2x1,5 mm ²

Monitoring equipment

Thermal contacts opening temp. 140 °C

Material

Impeller	Cast iron
Pump housing	Cast iron
Stator housing	Cast iron
Shaft	Stainless steel
O-rings	Nitrile rubber

Mechanical face seals

Alternative	Inner seal	Outer seal
1	Corrosion resistant cemented carbide/ Corrosion resistant cemented carbide	Corrosion resistant cemented carbide/ Corrosion resistant cemented carbide

Surface Treatment

All cast parts are primed with a water-borne primer. The finishing coat is a high-solid two pack paint.

Weight

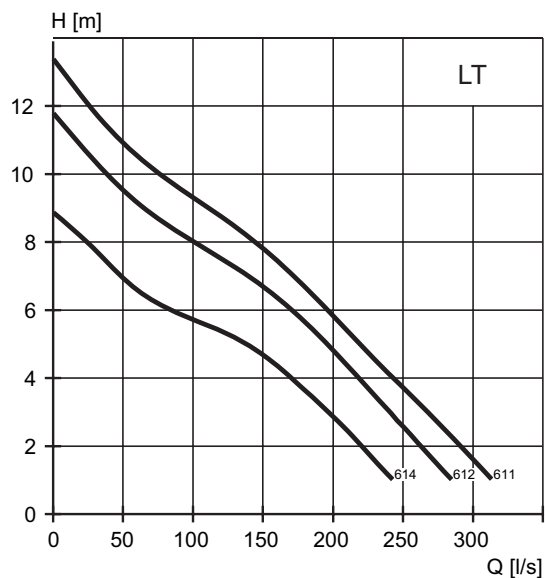
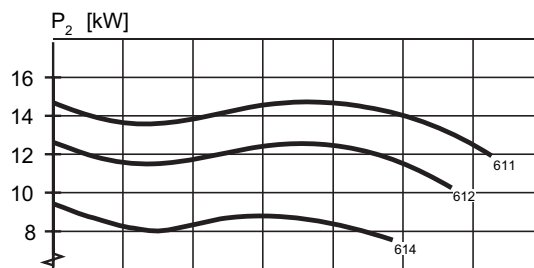
See dimensional drawing.

Accessories

For accessories see www.itt.com for further information.

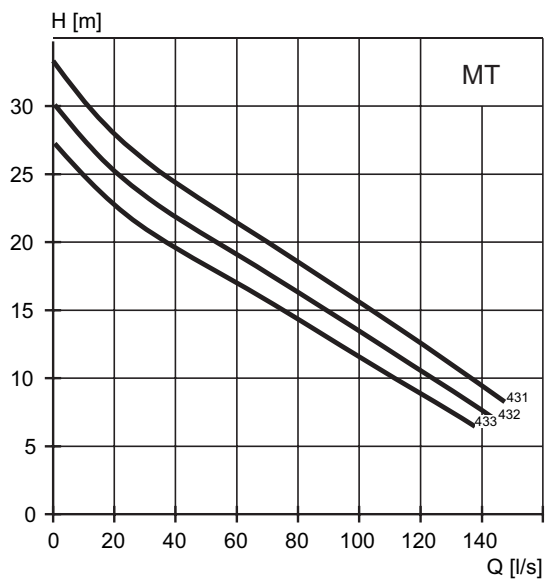
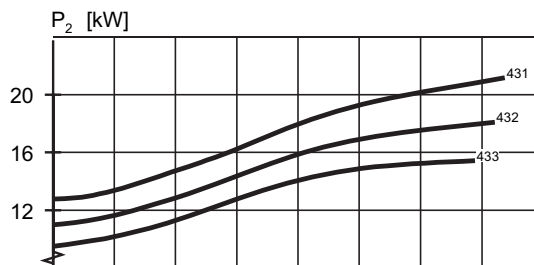
LT-Motor rating and performance curve

Curve/Impeller No	Rated power, kW	Rated current, A	Starting current, A	Power factor $\cos \varphi$	Installation			
					P			
380 V, 50 Hz, 3 ~, 960 r/min								
611	15	31	157	0,87	•			
612	15	31	157	0,87	•			
614	15	31	157	0,87	•			



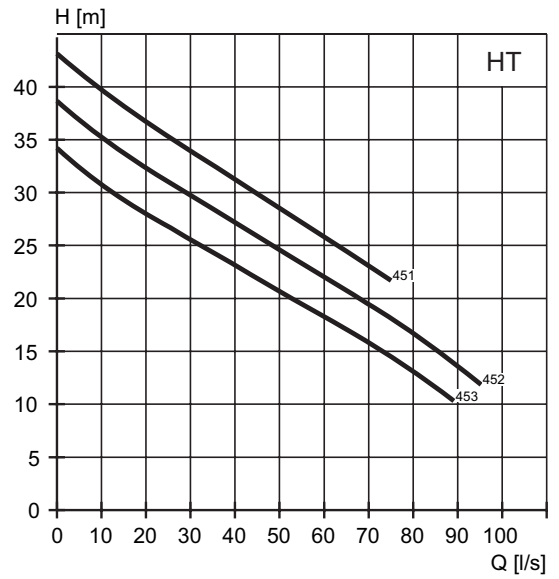
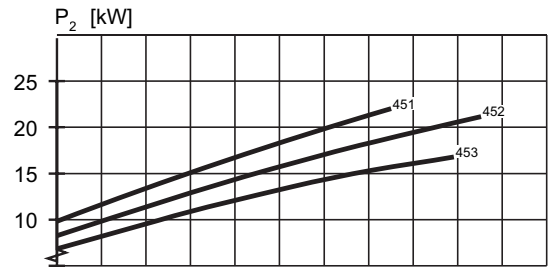
MT-Motor rating and performance curve

Curve/Impeller No	Rated power, kW	Rated current, A	Starting current, A	Power factor $\cos \varphi$	Installation			
					P			
380 V, 50 Hz, 3 ~, 1455 r/min								
431	22	42	236	0,90	•			
432	22	42	236	0,90	•			
433	22	42	236	0,90	•			



HT-Motor rating and performance curve

Curve/Impeller No	Rated power, kW	Rated current, A	Starting current, A	Power factor $\cos \varphi$	Installation				
					P				
400 V, 50 Hz, 3 ~, 1460 r/min									
451	22	42	236	0,90	•				
452	22	42	236	0,90	•				
453	22	42	236	0,90	•				

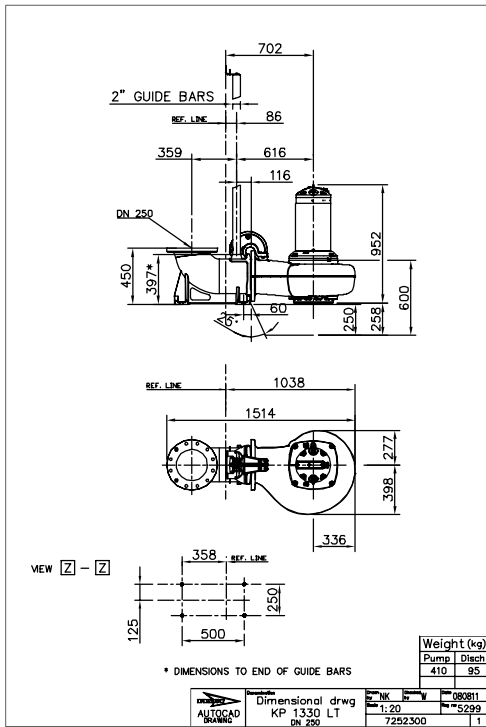


Dimensional drawing

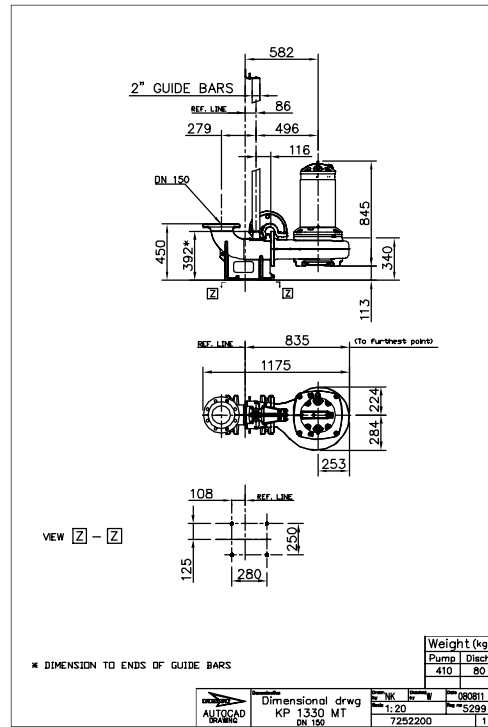
All drawings are available as Acrobat documents (.pdf) and AutoCad drawings (.dwg). Download the drawings from www.itt.com or contact your ITT representative for more information.

All dimensions are in mm.

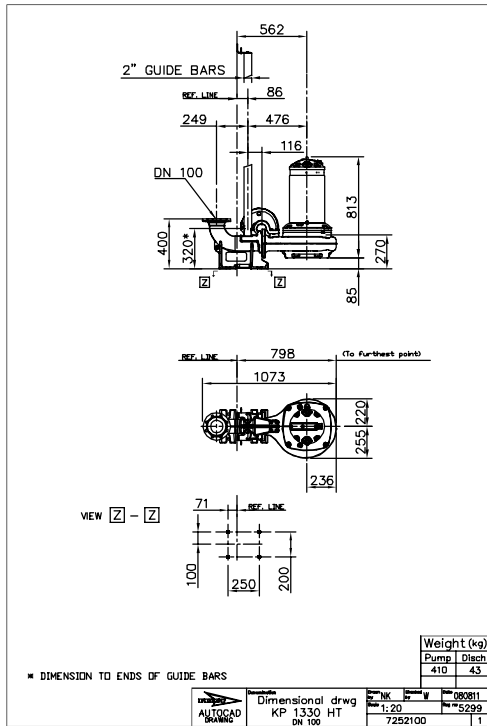
LT, P-installation



MT, P-installation



HT, P-installation



Contact addresses

30/F Tower A, Hongqiao City Center of Shanghai, 100
Zunyi Road, Shanghai 20051, China

Tel: 86 21 22082888 Fax: 86 21 22082999

Room 906, Jianda Mansion, 223# Zhongshan North Road
, Nanjing, 210009 China

Tel: 86 25 83346987 Fax: 86 25 8334 6953

Room 1518, Minhang Building Of Zhejiang, No.290
Zhongshan Northern Road, Hangzhou 310003, China

Tel: 86 571 85781571 Fax: 86 571 85781573

Unit 902, E3, Oriental Plaza, 1 East Chang'an Ave. Beijing
100738, China

Tel: 86 10 85184188 Fax: 86 10 85188438

160D&Room A-160D "National Port" East 3 Huan North
Road, Chaoyang Region, Beijing, 100027 China

Tel: 86 10 84470740 Fax: 86 10 84471972

Room 1508, Evening News Building, Nanjing
Road, Nankai Region, Tianjin, 300100 China

Tel: 86 22 27501520 Fax: 86 22 27501521

No. 4, 11 Jia, Kaifa Road, Shenyang Economic &
Technical Development Zone, Shenyang 110141, China

Tel: 86 24 25263213 Fax: 86 24 25832022

Room C-506, President Building, Hepingbei street, Heping
Region, Shenyang, 110003, China

Tel: 86 24 22814008 Fax: 86 24 22767079

Room 1508, Pearl River International Building, No.
99, Xin Kai Road, Xi Gang District, Dalian, 116011, China

Tel: 86 411 39615757 Fax: 86 411 39615757

Room 3411, New World International Trade Center, Tower
1, No. 568, Jianshe Avenue Wuhan 430022, China

Tel: 86 27 82667686 Fax: 86 27 85267546

Room 1905, Green Land Hotel, 91 Zhonglieci Xi Street,
Chengdu , 610016, China

Tel: 86 28 86751678 Fax: 86 28 86752626

Room 1504, east Tower Hua Pu Plaza, No. 13 HuaMing
Road, Tian He District, Guangzhou 510623, China

Tel: 86 20 28865015 Fax: 86 20 28865017

Room 2601, West Tower Huapu Plaza, No. 9 Huaming
Road, Tianhe District, Guangzhou 510623, China

Tel: 86 20 22382685 Fax: 86 20 22382685

Room 606 Xi'an High-Tech International Business
Center, No. 33 Ke ji Road, High-Tech Zone,
Xi'an, 710075, China

Tel: 86 29 88337330 Fax: 86 29 88337322

17-1#, Main of Jinlong Building, 229#, Luo Yuan
Road, Jinan, 250001 China

Tel: 86 531 86121177 Fax: 86 531 86121177

Room 408 Tower B Chuangyi English International
Building, Jlaoling Road, Kunming 650031 China

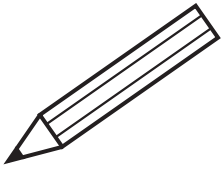
Tel: 86 871 5426438 Fax: 86 871 5426438

H/I 22F Hongyun Building No. 41-1 North Youhao Road
Urumchi 830000 China

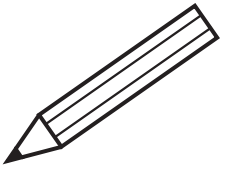
Tel: 86 991 4814823 Fax: 86 991 4814620

Unit E, 12/F, CDW Building, 388 Castle Peak Road,
Tsuen Wan N.T., Hongkong China

Tel: 852 29450100 Fax: 852 27416605



A series of horizontal dashed lines spanning the width of the page, intended for handwriting practice.



A series of horizontal dashed lines spanning the width of the page, intended for handwriting practice.



ITT Corporation (www.itt.com) is a diversified high-technology engineering and manufacturing company dedicated to creating more livable environments, enabling communications and providing protection and safety. The company plays an important role in vital markets including water and fluids management, global defense and security, and motion and flow control. Headquartered in White Plains, N.Y., the company ITT employs approximately 40,000 people and generated \$9 billion in 2007 sales.

Steady
FLYGT

Visit our Web site for the latest version of this document and more information
www.itt.com

ITT Corporation
30/F Tower A, Hongqiao City Center of Shanghai, 100 Zunyi Road, Shanghai 20051, China
Tel: 86 21 22082888
Fax: 86 21 22082999