



EU series

End Suction Centrifugal Pumps



EUseries - Coding System

Eg.

EU 32 / 13 MBC DB
EUM 100 / 26 MBC A2 - 0110

XXX XX/XX X XX XX-XXXX-X

Series

EU = Bareshaft pumps
EUM = Monobloc pumps

Discharge Size

Impeller Nominal Size

Seal Type

M = Carbon - Ceramic/NBR M1 = Carbon - SiC/Viton (Optional)
*P = Gland Packing M2 = Carbon - SiC/EPDM

Impeller / Body Casing Material

BC = Bronze impeller and Cast Iron Body KK = SS316 impeller and Body
BD = Bronze impeller and Ductile Iron Body KC = SS316 impeller and Cast Iron Body
BB = Bronze impeller and Body SS = SS304 impeller and Body
CC = Cast Iron impeller and Body SC = SS304 impeller and Cast Iron Body
CD = Cast Iron impeller and Ductile Iron Body

Special Code

¹DB = Double Bering- 6307/5307
¹HH = Bigger Shaft and Bearing Frame
¹OL = Oil Lubricator
S4 = SS304 Shaft
K6 = SS316 Shaft
****A2 = 50Hz / 2 Poles**
****A4 = 50Hz / 4 Poles**
****B2 = 60Hz / 2 Poles**
****B4 = 60Hz / 4 Poles**
****ZZ = Special Motor / Voltage**

Motor Rating

eg. 0005 = 0.55kW
0055 = 5.5kW
0500 = 50kW
5000 = 500kW

Motor Type

eg. Stub Shaft
Extended Shaft
Barepump (B)

Note:

* Only for EU series of pumps

**Applicable to EUM pumps only

¹All shaft are in 2Cr13

EU - Bare Shaft Pumps

Description:

Volute casing centrifugal end suction pump with Back Pull-Out (BPO) feature, main dimensions and performance according to EN733/DIN24255 standards.

- Type** : End Suction Centrifugal, Back Pull-Out (BPO)
- Design** : EN733/DIN24255
- Flange** : DIN2332 PN 10RF
- Direction of Rotation:** Clockwise as viewed from the drive side

Material:

- Casing** : Cast Iron, Ductile Iron, Bronze and Stainless Steel
- Impeller** : Cast Iron, Ductile Iron, Bronze and Stainless Steel
- Shaft** : 2Cr13, optional AISI304 & AISI316
- Shaft Seal** : Mechanical Seal and Gland Packing

Operating Range:

- Flow Rate(Q)** : up to 1100m³/h
- Head(H)** : up to 150m
- Speed** : 1450-2900 rpm (50Hz)
: 1750-3600 rpm (60Hz)
- Operating Temp.** : -10 °C to 105 °C standard;
: optional 140 °C
- Operating Pressure** : 10 bar standard; optional 16 Bar



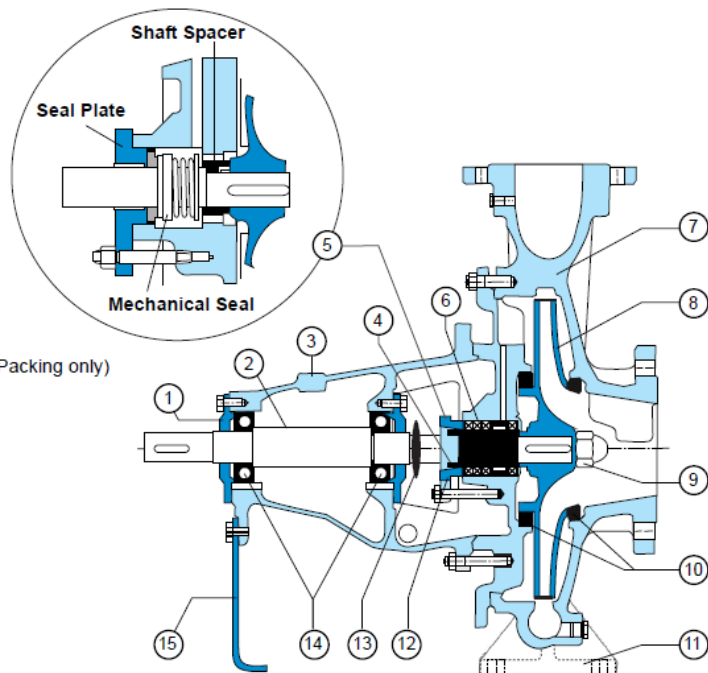
Range of Application:

EUROFLO Pumps can be used for the following services in the Commercial, Residential, Agricultural, Industrial, Process, Petroleum and Food & Beverage industries:

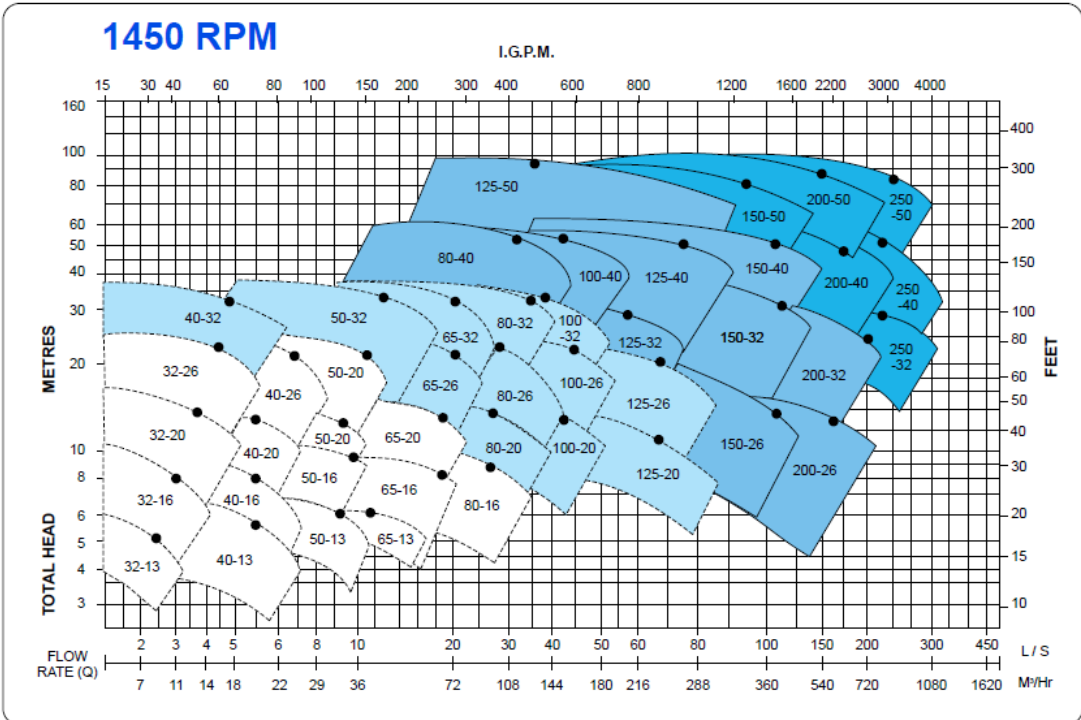
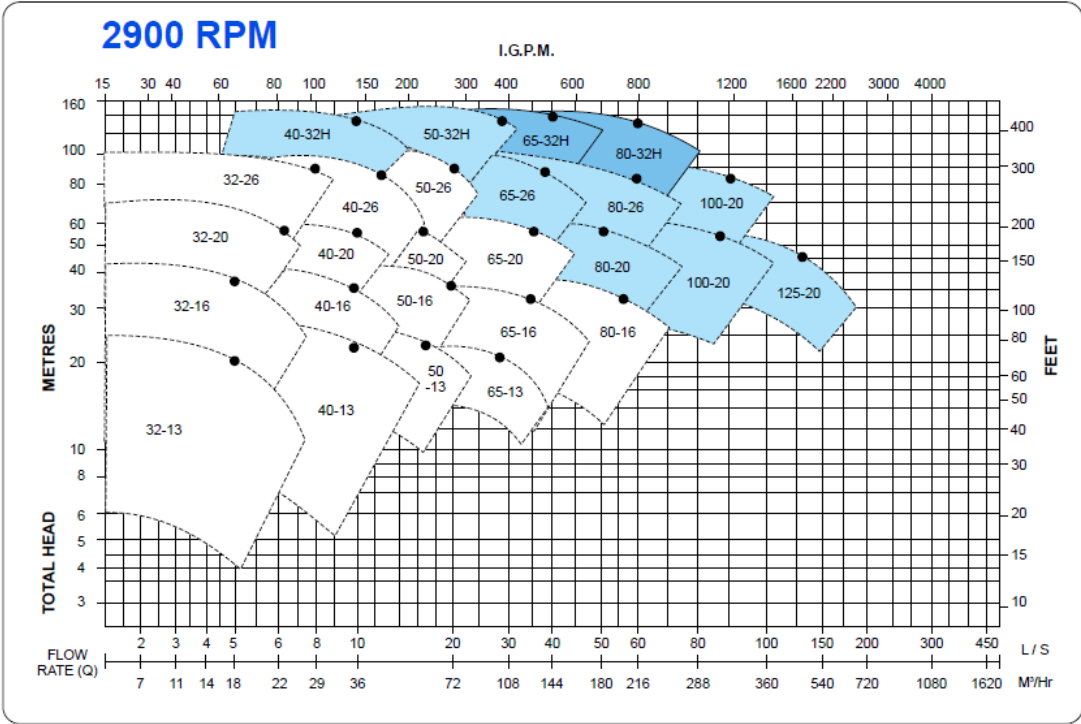
- Water Treatment & Supply • Sea Water Transfer • Fire Fighting & Protection • Bilging & Ballasting • Pressure Boosting • Air Conditioning • Cooling Towers • Refrigeration • Plumbing • Circulating • Transfer • Irrigation • Drainage

Parts:

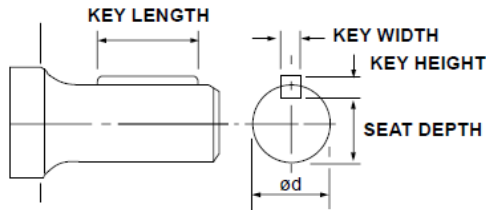
- | No. | Name |
|-----|---|
| 1 | Bearing Cover (Shaft End) |
| 2 | Shaft |
| 3 | Bearing Housing |
| 4 | Shaft protection Sleeve (with Gland Packing only) |
| 5 | Mechanical Seal |
| 6 | Gland Packing (Option) |
| 7 | Volute Casing |
| 8 | Impeller |
| 9 | Impeller Nut |
| 10 | Casing Wear Rings |
| 11 | Front Foot Support |
| 12 | Seal Plate |
| 13 | Slinger |
| 14 | Ball Bearings (Deep Groove) |
| 15 | Rear Foot Support |



EU - 50Hz Performance



EU - Installing Dimensions

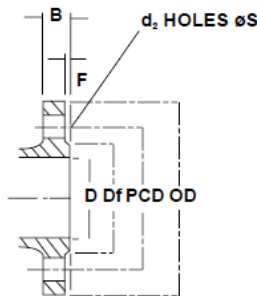


Shaft Dimensions

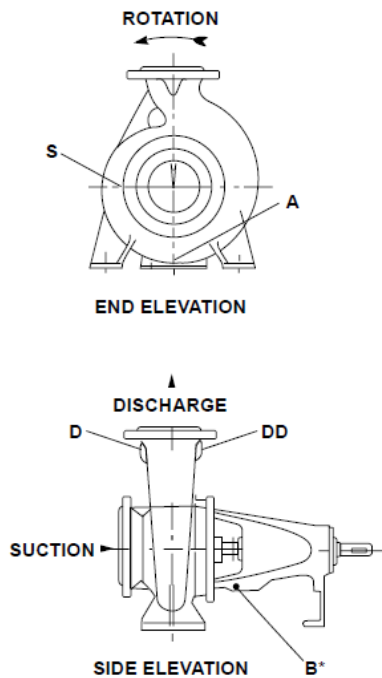
BEARING HOUSING	DIAMETER d	KEY HEIGHT	KEY WIDTH
	NOM		
25	24	7	8
35	32	8	10
45	44	8	12
55	48	9	14

Key dimensions are nominal.

Flange Data



D	OD	B	Df	F	d ₂	øS	PCD
32	140	18	78	2	4	18	100
40	150	18	88	3	4	18	110
50	165	20	102	3	4	18	125
65	185	20	122	3	4	18	145
80	200	22	138	3	8	19	160
100	220	24	158	3	8	18	180
125	250	26	188	3	8	18	210
150	285	26	212	3	8	22	240
200	340	30	268	3	12	22	295
250	405	32	320	3	12	26	355
300	460	32	370	4	12	26	410



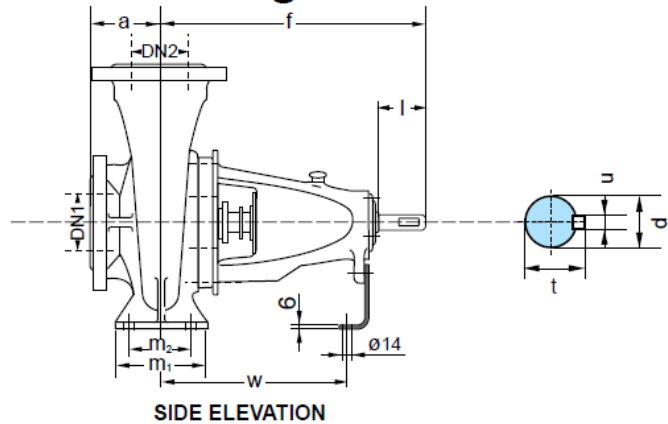
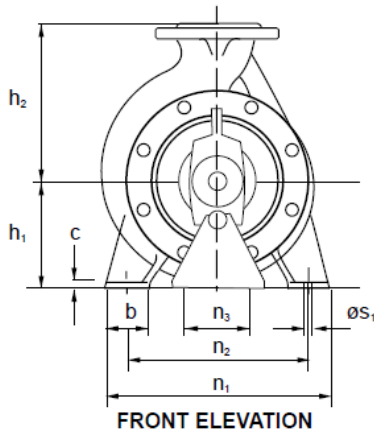
*Left side viewed from suction.

Service Connections

Pump Model	A	B*	D	DD	S
	Casing Drain	Housing Drain	Gauge Tapping	Vent Tapping	Gauge Tapping
32-13	1/4	3/8	1/4	1/4	1/4
32-16	1/4	3/8	1/4	1/4	1/4
32-20	1/4	3/8	1/4	1/4	1/4
32-26	3/8	3/8	1/4	1/4	1/4
40-13	1/4	3/8	1/4	1/4	1/4
40-16	1/4	3/8	1/4	1/4	1/4
40-20	1/4	3/8	1/4	1/4	1/4
40-26	3/8	3/8	1/4	1/4	1/4
40-32	3/8	3/8	1/4	1/4	1/4
40-32H	3/8	3/8	1/4	1/4	1/4
50-13	1/4	3/8	1/4	1/4	1/4
50-16	3/8	3/8	1/4	1/4	1/4
50-20	1/4	3/8	1/4	1/4	1/4
50-26	3/8	3/8	1/4	1/4	1/4
50-26H	3/8	3/8	1/4	1/4	1/4
50-32	3/8	3/8	1/4	1/4	1/4
50-32H	3/8	3/8	1/4	1/4	1/4
65-13	1/4	3/8	1/4	1/4	1/4
65-16	3/8	3/8	1/4	1/4	1/4
65-20	3/8	3/8	1/4	1/4	1/4
65-20H	3/8	3/8	1/4	1/4	1/4
65-26	3/8	3/8	1/4	1/4	1/4
65-32	3/8	3/8	1/4	1/4	1/4
65-32H	3/8	3/8	1/4	1/4	1/4
80-16	3/8	3/8	1/4	1/4	1/4
80-16H	3/8	3/8	1/4	1/4	1/4
80-20	3/8	3/8	1/4	1/4	1/4
80-26	3/8	3/8	1/4	1/4	1/4
80-32	3/8	3/8	3/8	1/4	3/8
80-32H	3/8	3/8	3/8	1/4	3/8
80-40	3/8	3/8	3/8	3/8	3/8
100-16	3/8	3/8	3/8	3/8	3/8
100-20	3/8	3/8	3/8	3/8	3/8
100-26	3/8	3/8	3/8	3/8	3/8
100-26H	3/8	3/8	3/8	3/8	1/2
100-32	3/8	3/8	3/8	3/8	1/2
100-40	3/8	1/2	1/2	3/8	1/2
125-26	3/8	1/2	1/2	3/8	1/2
125-32	3/8	1/2	1/2	3/8	1/2
125-40	3/8	1/2	1/2	3/8	1/2
150-20	3/8	1/2	1/2	3/8	1/2
150-26	3/8	1/2	1/2	3/8	1/2
150-32	3/8	1/2	1/2	3/8	1/2
150-40	3/8	1/2	1/2	3/8	1/2
200-32	3/8	1/2	1/2	3/8	1/2
200-40	3/8	1/2	1/2	3/8	1/2
200-32	3/8	1/2	1/2	3/8	1/2
250-40	3/8	1/2	1/2	3/8	1/2

Note all service connections are BSP female parallel thread.

EU - Installing Dimensions *con't*



Pump Model	Bearing Housing	Discharge DN _e	Suction DN _s	Pump Dimension					Foot Dimension							Shaft End				Net Weight		
				a	f	h ₁	h ₂	b	c	n ₃	m ₁	m ₂	n ₁	n ₂	s	w	d	l	t		u	
EU32/13	25	32	50	80	112	140	50	100	100	70	190	140	267	24	50	27	8	28				
EU32/16					132	160					240	190							36			
EU32/20				160	180	320	250				43											
EU32/26				180	225	320	250				63											
EU40/13				80	40	100	112				140	210							160	31		
EU40/16		132	160				240		190	37												
EU40/20		160	180	200	160	180	265		212	46												
EU40/26					180	225	320		250	63												
EU40/32		35	125	65	200	250	345		280	14	96											
EU40/32DB					200	250	345		280	96												
EU40/32H	45	523	200	250	364	42	110	45	12	96												
EU50/13	25	50	100	80	132	160	240	190	34													
EU50/16					160	180	265	212	38													
EU50/20				160	200	320	250	48														
EU50/26				180	225	320	250	65														
EU50/32				125	470	65	225	280	345	280	101											
EU50/32DB		225	280				345	280	101													
EU50/32H		45	523	225	280	364	42	110	45	12	101											
EU65/13		25	65	80	100	160	180	280	212	14	40											
EU65/16						160	200	320	250	44												
EU65/20					180	225	360	280	54													
EU65/26	200				250	360	280	83														
EU65/32	470				225	280	225	280	400	315	18	110										
EU65/32DB			225	280			400	315	110													
EU65/32H	45		523	225	280	364	42	110	45	12	110											
EU80/16	35		80	100	125	360	180	225	320	250	14	267	24	50	27	8	55					
EU80/20						180	250	345	280	72												
EU80/26					470	200	280	250	315	400	315	342	32	80	35	10	92					
EU80/32		250						315	400	315	120											
EU80/32DB		523			250	315	361	42	110	45	12	120										
EU80/32H		45	530	280	355	85	18	370	42	110	45	12	162									
EU100/16		35	100	125	140	200	250	80	15	160	120	435	355	18	60							
EU100/20						225	280	80	16	360	280	342	32	80	35	10	71					
EU100/26					470	225	280	250	315	400	315	342	32	80	35	10	87					
EU100/32								250	315	400	315	110										
EU100/40	45				530	280	355	100	20	200	150	500	400	22	370	42	110	45	12	177		
EU125/20	35		125	150	140	250	315	80	20	160	120	400	315	18	342	32	80	35	10	111		
EU125/26						250	355	100	16	200	150	500	400	23	370	42	110	45	12	163		
EU125/32					530	280	355	315	400	100	18	200	150	500	400	23	370	42	110	45	12	190
EU125/40								315	400	100	18	200	150	500	400	26	400	55	110	45	12	*
*EU125/50					160	630	355	450	120	35	180	250	180	620	500	26	400	55	110	45	12	*
EU150/20		35	150	200	165	530	280	400	100	18	110	200	150	23	370	42	110	45	12	145		
EU150/26						250	355	120	35	180	250	180	670	550	20	400	55	110	45	12	164	
EU150/32					530	315	450	280	400	100	18	200	150	550	450	23	370	42	110	45	12	175
EU150/40								315	450	100	18	200	150	550	450	28	505	48	110	45	12	210
*EU150/50					630	355	500	120	35	180	250	180	670	550	20	400	55	110	45	12	*	
EU200/26	55		200	250	180	530	315	480	120	20	110	220	170	600	480	28	511	55	110	45	12	*
EU200/32						670	335	480	120	20	110	220	170	600	480	28	505	48	110	45	12	270
EU200/40					210	875	400	500	160	30	140	300	240	720	600	27	511	55	110	45	12	310
*EU200/50																						
EU250/32					55	250	300	220	691	355	520	150	26	110	250	200	660	510	28	525	48	110
EU250/40		682	400	560					150	26	110	250	200	660	510	28	516	48	110	45	12	415
*EU250/50		70	250	300	240	875	425	545	160	30	140	300	200	720	600	27	626	70	140	45	12	*

*Pumps dimension may vary, please refer to manufacturer.