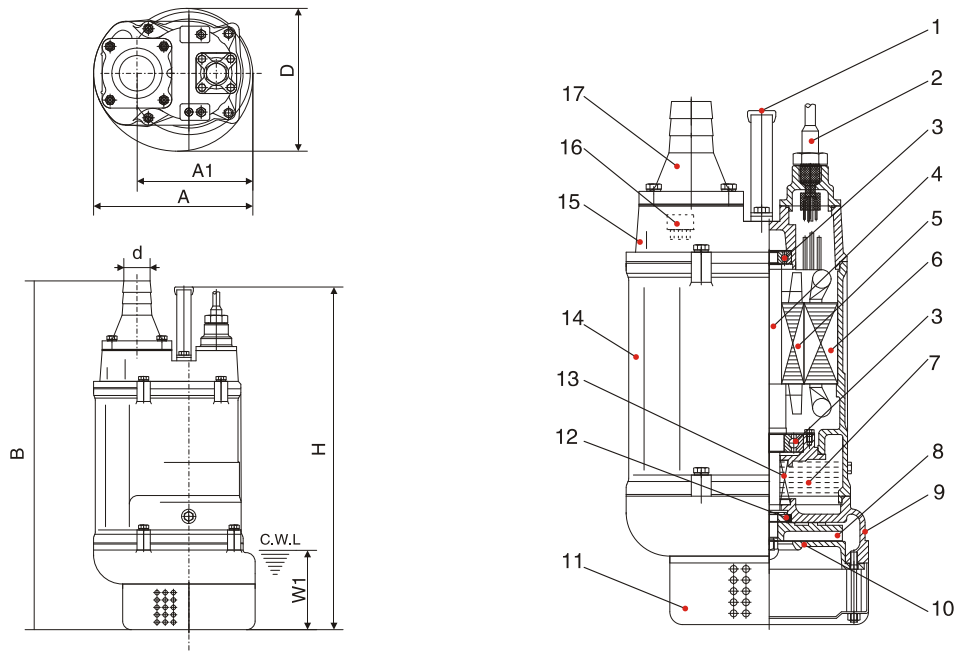


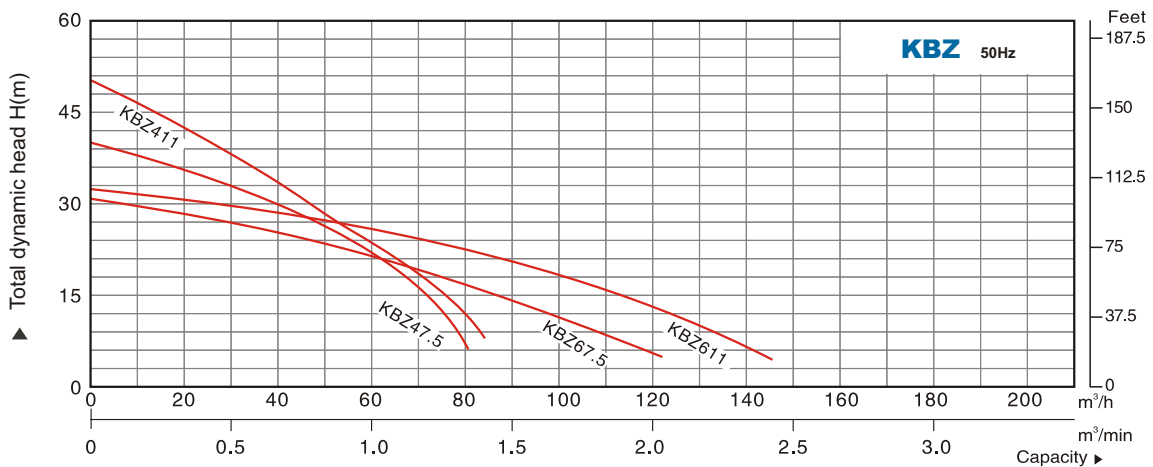
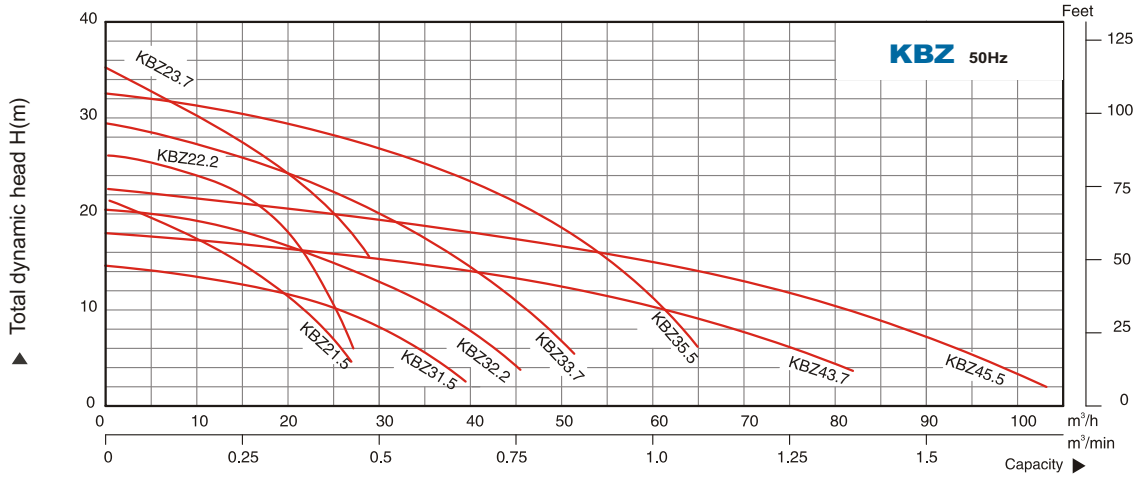
KBZ SUBMERSIBLE DEWATERING PUMP



Item No.	Part name	Material	Item No.	Part name	Material
1	Handle	Rubber & steel	10	End Plate	Ductile iron
2	Cable	2PNCT-F	11	Filter	Steel
3	Bearing	Ball Bearing	12	Oil seal bracket	
4	Shaft	AISI420SS	13	Mechanical seal	Sic-sic/Carbon-ceramics
5	Rotor		14	Motor body	Cast iron
6	Stator		15	Upper cover	Cast iron
7	Lube oil		16	Motor protector	
8	Impeller	High chrome alloy or ductile iron	17	Hose coupling	Cast iron
9	Pump body	Cast iron			

Model	d	A	A1	B	D	H	W1
KBZ21.5	50	235	173	517	216	486	120
KBZ31.5	80	235	173	517	216	486	120
KBZ22.2	50	235	173	517	216	486	120
KBZ32.2	80	235	173	517	216	486	120
KBZ23.7	50	283	208	628	252	638	150
KBZ33.7	80	283	208	628	252	638	150
KBZ43.7	100	283	208	642	252	638	150
KBZ35.5	80	306	218	671	259	688	150
KBZ45.5	100	306	218	686	259	688	150
KBZ47.5	100	330	240	764	314	676	190
KBZ411	100	373	255	807	350	695	190
KBZ67.5	150	330	240	790	314	676	190
KBZ611	150	373	255	807	350	695	190

Performance curves



Model(50Hz)	Outlet	Motor power		Max head	Max capacity		Impeller passage	N.W	G.W	Packing dimension
	mm	Kw	HP	m	m ³ /h	m ³ /min	mm	Kg	Kg	mm
KBZ21.5	50	1.5	2	22	27.0	0.45	8.5	34.5	37.5	590X290X250
KBZ22.2	50	2.2	3	26.0	27.0	0.45	8.5	36	39	590 X 290 X 250
KBZ23.7	50	3.7	5	34.0	29.0	0.48	8.5	60	65	684 X 334 X 397
KBZ31.5	80	1.5	2	14.5	40.0	0.67	8.5	34.5	37	590 X 290X250
KBZ32.2	80	2.2	3	21.0	50.0	0.83	8.5	36	39	590X290X250
KBZ33.7	80	3.7	5	29.0	55.0	0.92	8.5	60	65	684X344X397
KBZ35.5	80	5.5	7.5	32.0	70.0	1.17	8.5	77	84	731X366X405
KBZ43.7	100	3.7	5	18.0	90.0	1.50	8.5	61	66	702X344X397
KBZ45.5	100	5.5	7.5	23.0	105.0	1.75	8.5	78	85	746X366X405
KBZ47.5	100	7.5	10	40.0	84.0	1.40	11.5	105	114	824X390X459
KBZ411	100	11	15	48.5	86.4	1.44	11.5	130	140	867X430X495
KBZ67.5	150	7.5	10	31.0	124.8	2.08	19.5	106	114	850X390X459
KBZ611	150	11	15	32.0	147.0	2.45	19.5	133	143	867X430X495