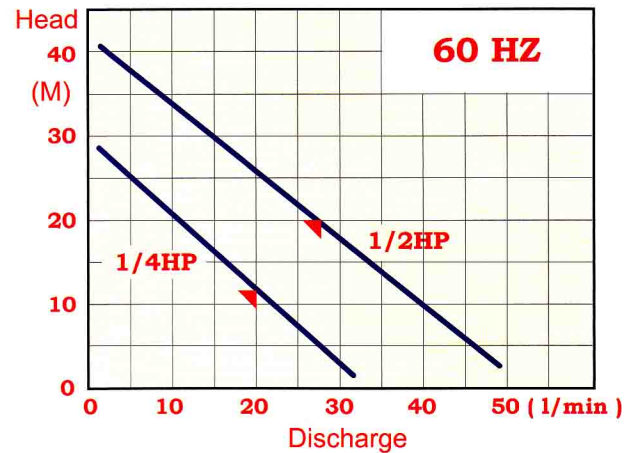


KIKAWA Automatic Pump KP8-NT Series

● SPECIFICATIONS

MODEL		KP820NT	KP825NT
Motor Type		Condenser running, Single phase Induction Motor.	
Power		1/4 HP	1/2 HP
Suction Depth (M)		8	8
Max. Discharge (l/min)	50Hz	28	40
	60Hz	32	48
Rated Discharge (l/min)	50Hz	18 (at 10M)	18 (at 20M)
	60Hz	20 (at 12M)	28 (at 20M)
Pressure Switch (kg/cm ²)	50Hz	1.0 ~ 2.0	1.2 ~ 2.4
	60Hz	1.2 ~ 2.4	1.4 ~ 2.8
Suction Pipe Dia.		3/4" (20mm)	1" (25mm)
Delivery Pipe Dia.		3/4" (20 mm)	1" (25 mm)
Weight (kgs)		7.2	8.6
Packing Dimensions LxWxH (cm)		30X24X45	30X24X45

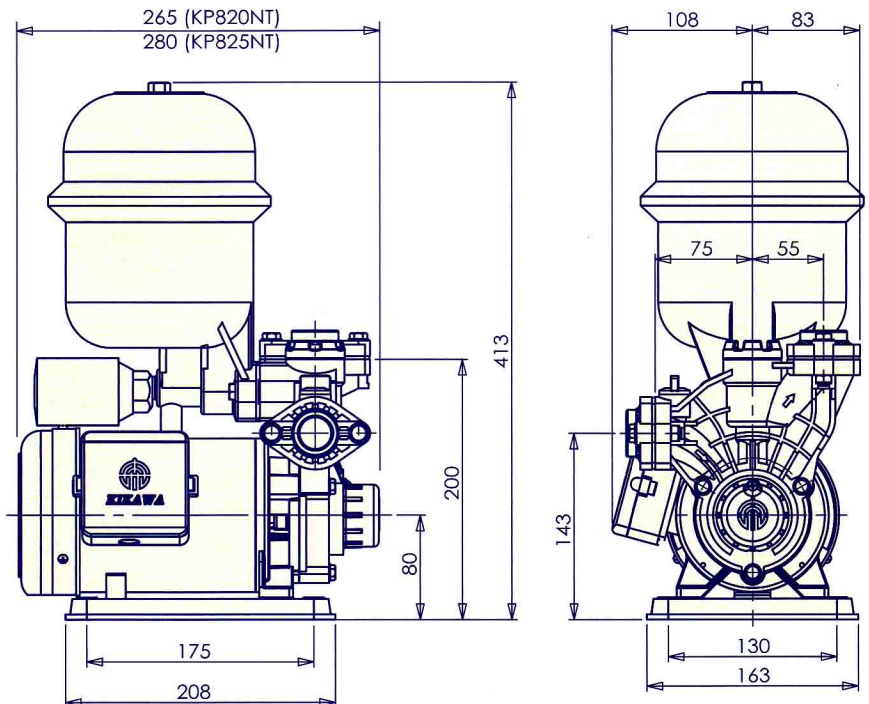
● PERFORMANCE CURVES



● APPLICATIONS

- ⊙ House / Apartment city water automatic boosting.
- ⊙ Roof tank water supply boosting.
- ⊙ Agriculture / Garden automatic water supply.
- ⊙ Industrial water treatment systems.

● DIMENSIONS



● MAIN MATERIALS

PART NAME	MATERIAL
Motor	2-Pole Steel Frame
Seal Housing	Plastic (PPS)
Pump Casing	Plastic (PPS)
Impeller	Bronze
Mechanical Seal	Ceramic+Carbon+NBR
O-ring	NBR
Input Flange	Plastic (Nylon)
Output Flange	Plastic (Nylon)
Pressure Tank	Plastic+Rubber Diaphragm

* Specifications subject to change without notice.

Agent