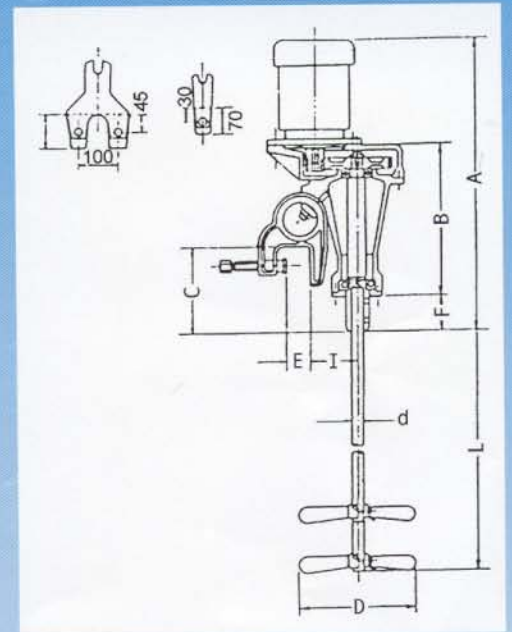


Shinko Agitator

MIXING EQUIPMENT

Shinko Agitator Type TG is most extensively used in the agitation of dilute solutions of small to large-volume.

- Small size and light weight agitator with simple construction
- Can be mounted easily to the tank wall and frame with C clamp
- Popular in pollution abatement equipment and extensively used in dissolving reactions of chemical.



Model		TG-10	TG-20	TG-40	TG-75
Motor (weather Proof)	kW	0.1	0.2	0.3	0.75
	V	220/415	220/415	220/415	220/415
	Phase	3	3	3	3
Shaft (SUS304)	Length-L (mm)	800	1000	1200	1350
	CD (mm)	16	16	22	22
Rpm		50Hz:295 / 60Hz:350			
Propeller (SUS304) 3 Blades x 2 pcs	CD (mm)	160	200	250	300
	Dim (mm)	A	530	530	570
B		260	260	260	350
C		150	150	150	200
I		80	80	80	100
E		40	40	40	60
F		60	60	60	100
Capacity (Liters)	Low Viscosity	620	1250	2500	5000
	Med Viscosity	200	400	600	1300
Weight	With Motor (Kg)	19.5	21.5	30	53

Shinko Agitator

MIXING EQUIPMENT

Superior noise reduction on the operating system is due to the use of V-belt speed drive.

MODEL	P.D.	O.D.	HOLE DIAMETER	NUMBER OF HOLE
TV-20 TV-40 TV-75	170	210	19	4
TV-150 TV-220	290	330	22	6



Model		TV-20	TV-40	TV-75	TV-150	TV-220
Motor	kW	0.2	0.4	0.75	1.5	2.2
	V	220/415	220/415	220/415	220/415	220/415
	Phase	3	3	3	3	3
Shaft (SUS304)	Length-L (mm)	1000	1200	1400	1600	1800
	CD (mm)	16	22	22	32	32
Rpm		50Hz:295 / 60Hz:350				
Propeller (SUS304) 3 Blades x 2(mm)	CD (mm)	200	250	300	350	400
	Dim (mm)					
	A	16	16	16	18	20
	B	250	300	450	535	550
	C	80	85	85	100	150
	I	240	240	240	295	380
	F	320	325	325	460	510
	G	445	530	530	620	730
Capacity (Liters)	Low Viscosity	1000	200	4000	8000	12000
	Med Viscosity	400	600	1300	3000	5000
Weight	With Motor (Kg)	29	40	50	85	95

